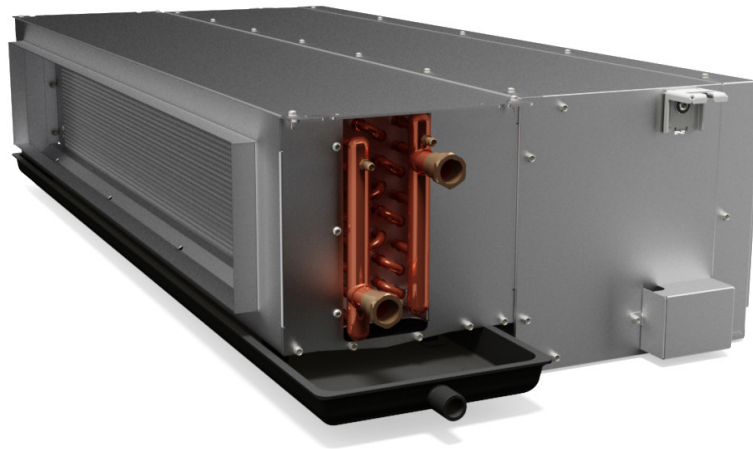


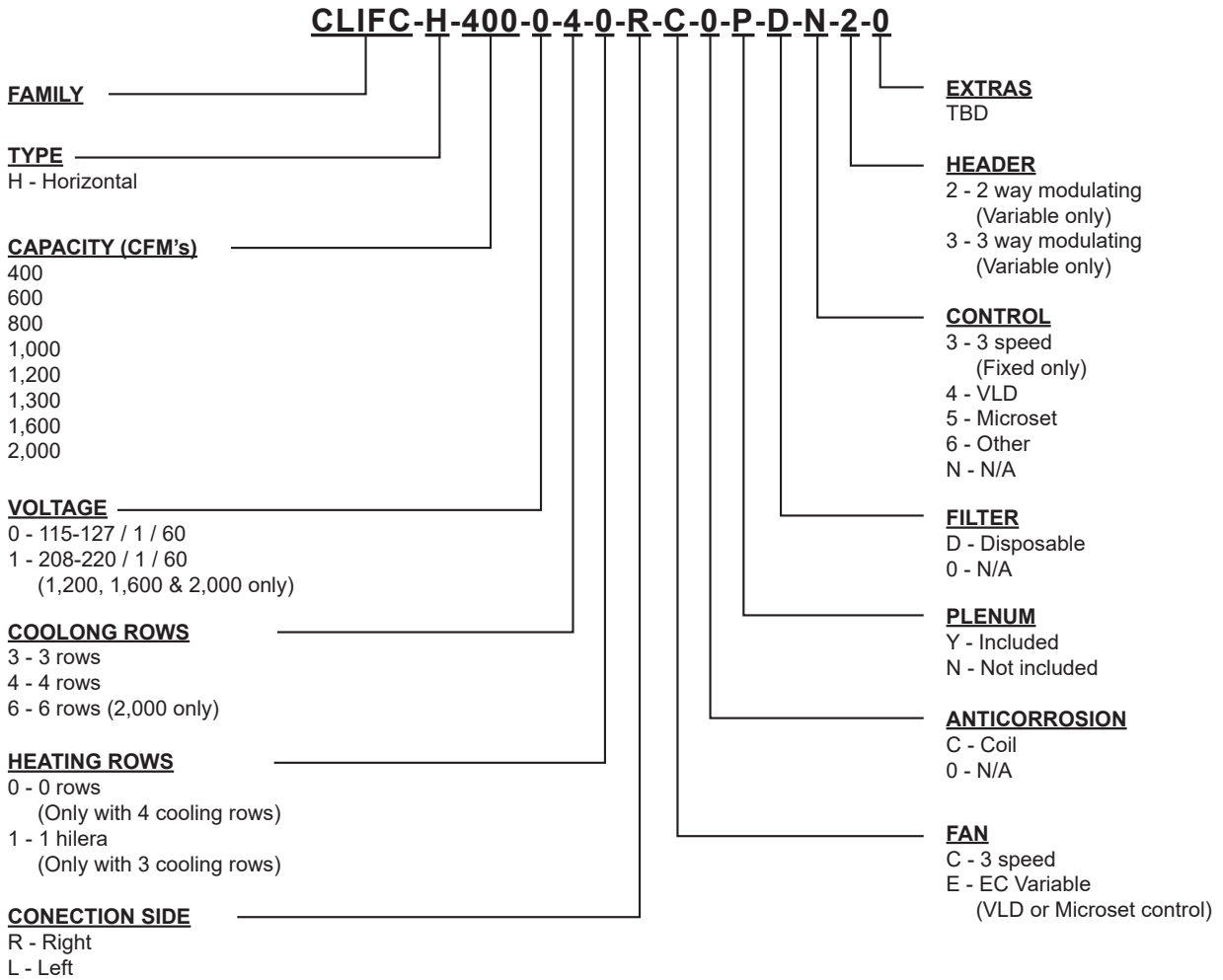
## Parts Manual

## PM

Group: F&C  
Part Number: PM CLIFC  
Date: 20 July 2023

### CLIFC Series Fixed Horizontal 400, 600, 800, 1000, 1200, 1300, 1600, 2000 CFM



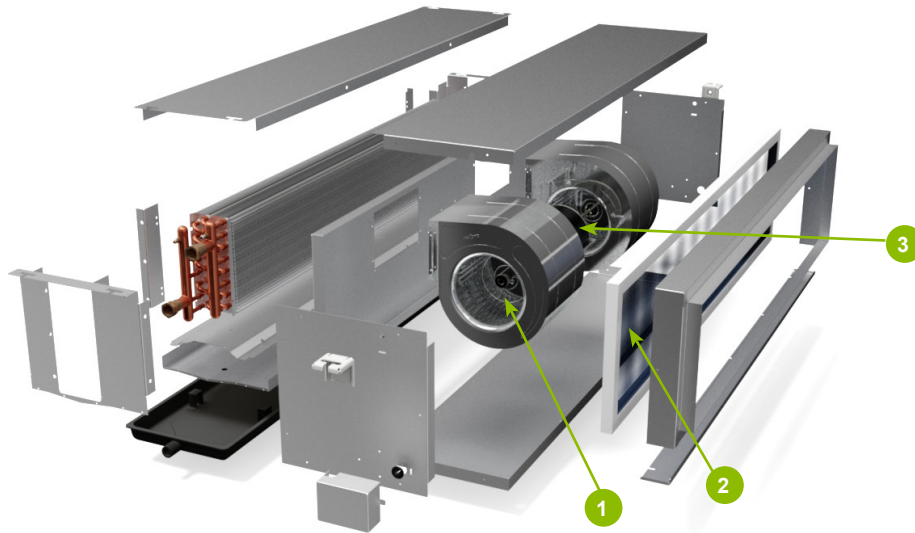


Manufactured in an ISO 9001 certified facility



©2023 Comfort Flex . Illustration and data cover the Comfort Flex product at the time of publication and we reserve the right to make changes in design and construction at any time without notice.

## SERVICE PARTS



F&C FOUR SEASON FIXED										
COMPONENT	QTY	UM	PART NUMBER							
			CAPACITY							
			400	600	800	1000	1300	1600	2000	
1	Turbine	1	PC	3011855 3011856	3011857 3011858	3011859 3011860	3011861 3011862	3011863 3011864	1031204 <b>(2 pcs)</b>	1031204 <b>(2 pcs)</b>
2	Filter	1	PC	1034334	1034333	1034332	1034331	1025949	1031698 <b>(2 pcs)</b>	1031698 <b>(2 pcs)</b>
3	Fan	1	PC	1025973	1025974	1025975	1025976	1025977	1033654 <b>(2 pcs)</b>	1033654 <b>(2 pcs)</b>

