

Comfort Flex[®]

Air Conditioning



The image does not show the actual size of the equipment



Air Conditioning



The **Comfort Flex** air purifying unit **Health-Air** is designed to mitigate pollution and the spread of respiratory diseases within indoor areas or closed rooms.

Its unique design provides a coverage for rooms up to approximately 3,870 ft².*

In order to achieve this, the unit has 4 high efficiency **HEPA** (*High Efficiency Particulate Air*) filters inside, these filters are previously subjected to rigorous tests of efficiency under the guidelines of the 52.2 standard developed by the **American Society of Heating Engineers, Refrigeration and Air Conditioning (ASHRAE)**. To improve filtration results, the air purifying unit has a smaller pre-filter to increase the durability of the **HEPA** main filters.

The equipment also has ultraviolet light **UVC** for germicidal neutralization.

AIR PURIFYING UNIT

Main features

- 1,900 CFMs.
- Superior air injection.
- Air return on 4 sides.
- 4 HEPA Filters (99.97% Efficiency for particles of 0.3 µm). This filter removes viruses, bacteria and fungi when passing through it.
- 4 MERV 8 Prefilters (Retention of particles of 3.0 to 10.0 µm).
- UVC type germicidal lamp (filament of Quartz and 254 nm wavelength, free of ozone).
- 2 self-regulating ECM motors (variable speed), maintains the air volume according to the filter saturation.
- Galvanized steel cabinet acoustically insulated.
- Oven baked paint.
- Voltage 115 / 1 / 60 Hz.
- 11 ½ ft power cable.
- Vertical Design.
- Filter saturation indicator light.
- Automatic stop in case of saturation of filters.
- Multi-position wheels with independent brakes.
- Transportable, easy to move.
- Automatic deactivation of the UVC lamp for maintenance.



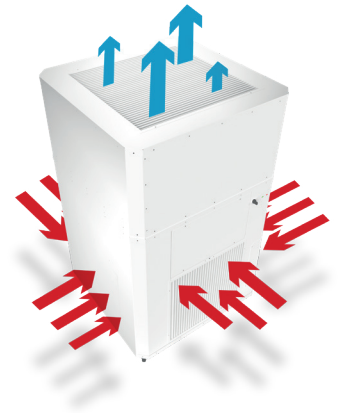
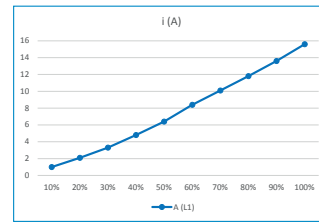
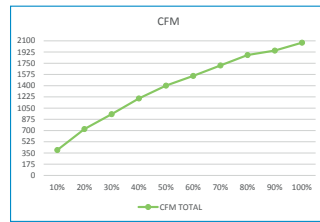
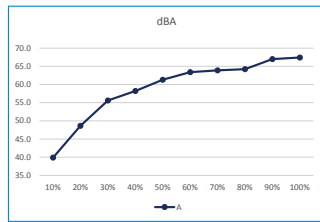
Manufacturer	Capacity CFM	Fan		Voltage	Pre Filters		Filters		Lamp	Control
		Type	Quantity		Type	Quantity	Type	Quantity	Type	
Clima-Flex	1,900	Centrifuge	2	115 / 1 / 60	MERV 8	4	HEPA	4	UVC	Digital

* The purification capacity is measured for a height of 9' 10".

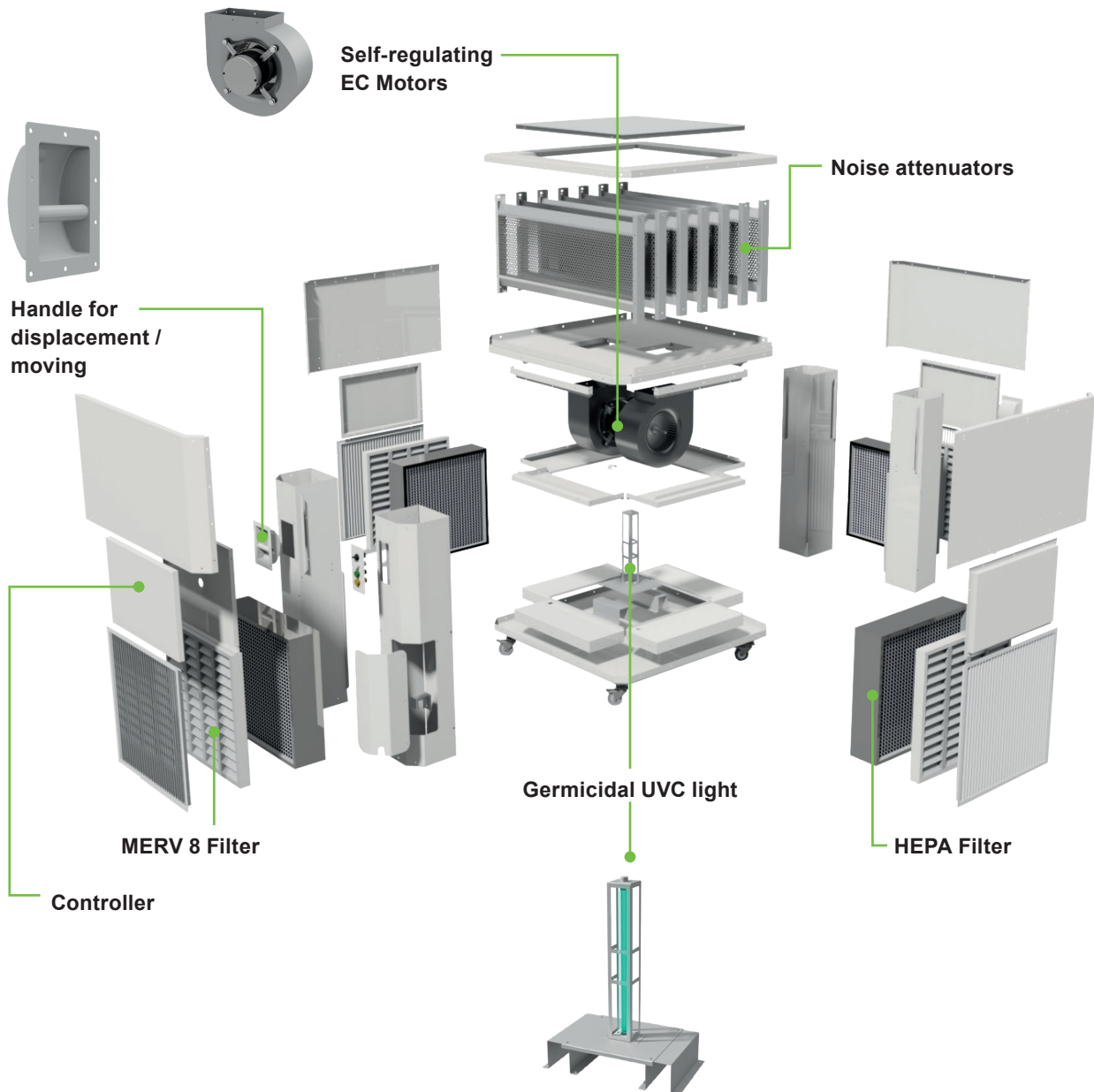
WEIGHT (lb)	TOTAL CFM	dBA		CURRENT MOTOR	MOTOR DATA					
		A**	A***	A (L1)	#MOTOR	POWER(kW)	POWER(HP)	RPM	V / D / F	i(A) MAX
573	1,900	54.0	50.0	11.8	2	1.12	1½	1,800	115 / 1 / 60	17.6

** The measurement is taken at 3.28 ft x2 with Vertical discharge (standard)

*** The measurement is taken at 3.28 ft x2 with 4 sides discharge (optional)



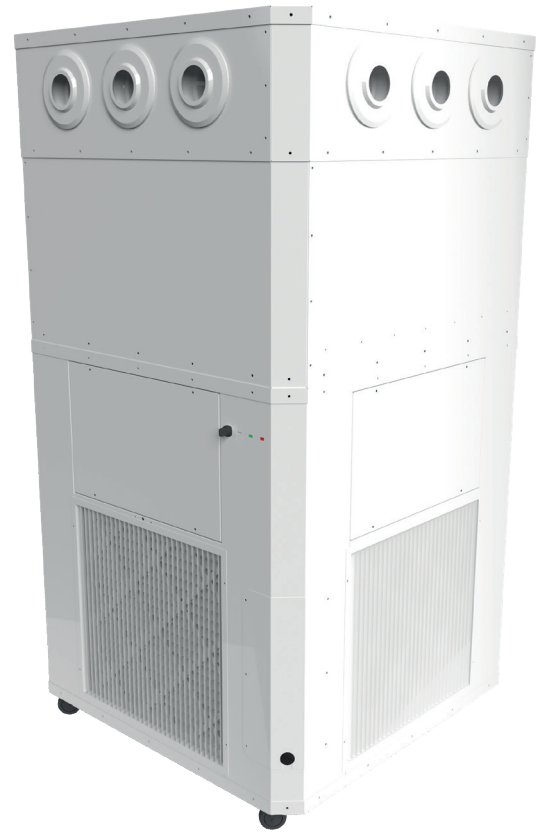
Main components



AIR PURIFYING UNIT

Specifications

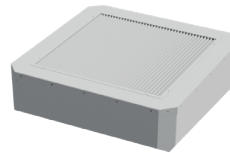
- The HEPA filter has an efficiency of 99.97%, which allows the removal of particles up to 0.3 µm.
- Standard MERV 8 filter retains particles from 3.0 - 10.0 µm at 35% efficiency.
- Structural engineering and filter seal prevent possible air leaks.
- Portable and easy to move; adaptable to many locations.
- ON / OFF illuminated switch.
- 11 ½ ft long power cable.
- 115 Volts.
- Oven painted cabinet with acoustic insulation.
- UL® Listed (in process).
- 1 year warranty on parts and components, does not include replacements.
- Vertical plenum discharge grids (standar).
- 4 sides discharge air diffuser plenum (optional).
- Jet Flow discharge diffuser plenum (optional).



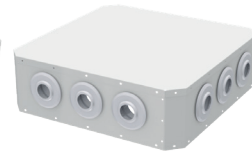
Frequently asked questions

- **Are the components certified?**
All components are UL Certified
- **Is there a norm or standard that this unit meets?**
Factory installed filters meet standard ASHRAE 52.2.
- **What type of accessory will be available to direct the airflow?**
 - Vertical plenum discharge grids (standar).
 - 4 sides discharge air diffuser plenum (optional).
 - Jet Flow discharge diffuser plenum (optional).
- **Can the unit be hanged from the ceiling?**
These options will be include in later versions of the equipment.
- **What is the protocol for safe filter removal?**
The user manual will include the filter change procedure.
- **What is the lamp's lifetime?**
18 thousand hours.
- **What is the filter replacement time?**
Follow the recommendations described in the user manual, the equipment includes devices to monitor filter saturation.

Discharge options



Vertical discharge
(standard)



4 sides discharge
(optional)

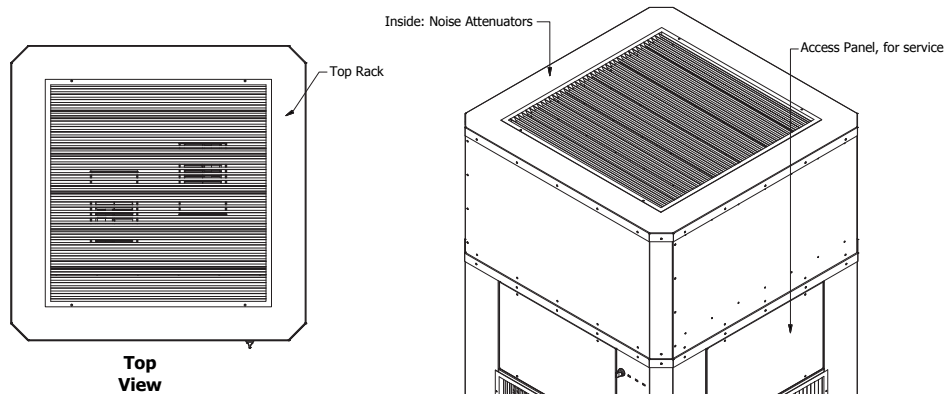
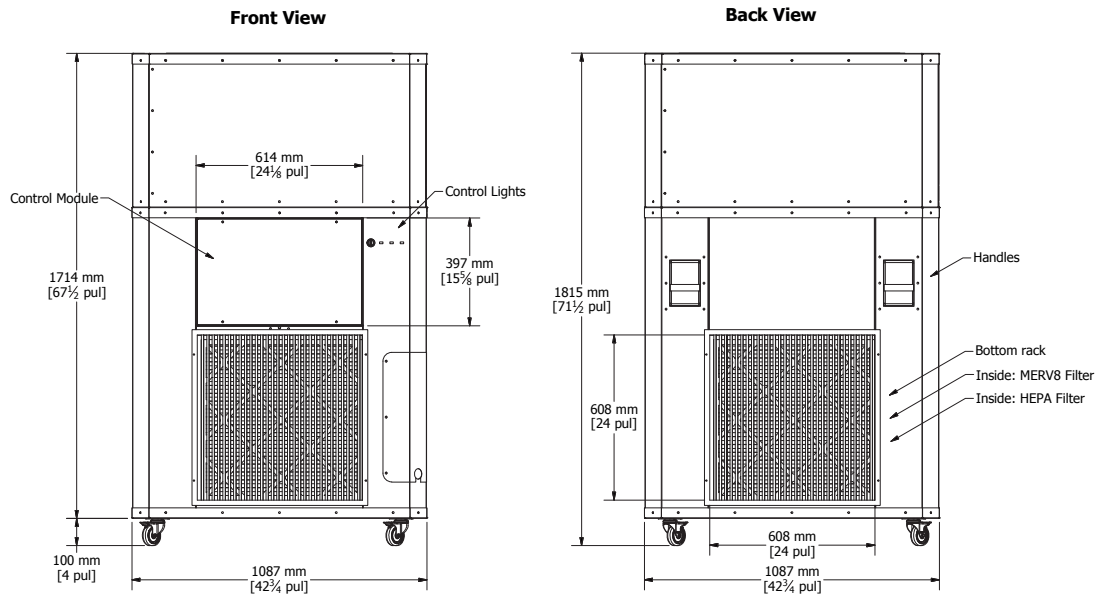


Jet Flow discharge
(optional)



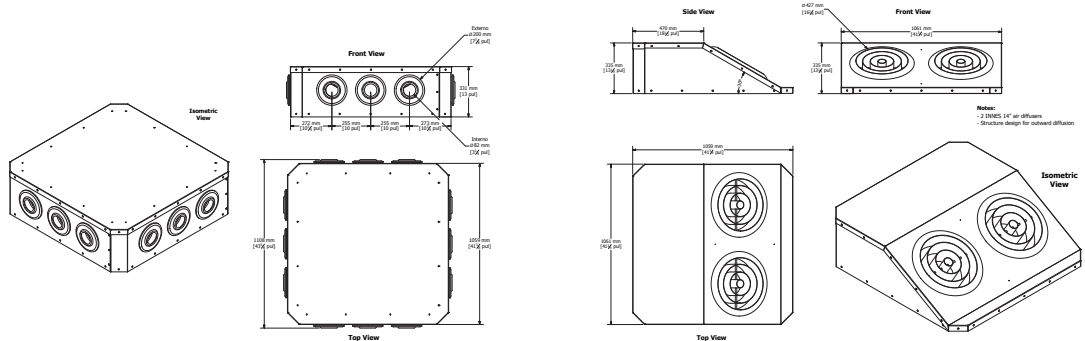
AIR PURIFYING UNIT

Dimensional information



Notas:

- 4 Removable MERV 8 Filters.
- 4 Removable HEPA Filters.
- Germicidal UVC light lamp.
- 2 centrifugal fans.
- It includes as an accessory 4 lower grilles in the return and 1 upper in the injection.



4 sides discharge air diffuser plenum

Jet Flow discharge air diffuser plenum

Clima-Flex S.A. de C.V.

Av. Central No. 285, Parque Logístico Industrial, Delegación La Pila. C.P. 78422 San Luis Potosí, S.L.P. México.

+52 (444) 161 5043 | <http://www.clima-flex.com> | contacto@clima-flex.com



Air Conditioning

Clima-Flex S.A. de C.V.
Av. Central 285, Parque Logístico, CP 78422
Delegación La Pila, San Luis Potosí
(444) 161 50 43
contacto@clima-flex.com
www.clima-flex.com

